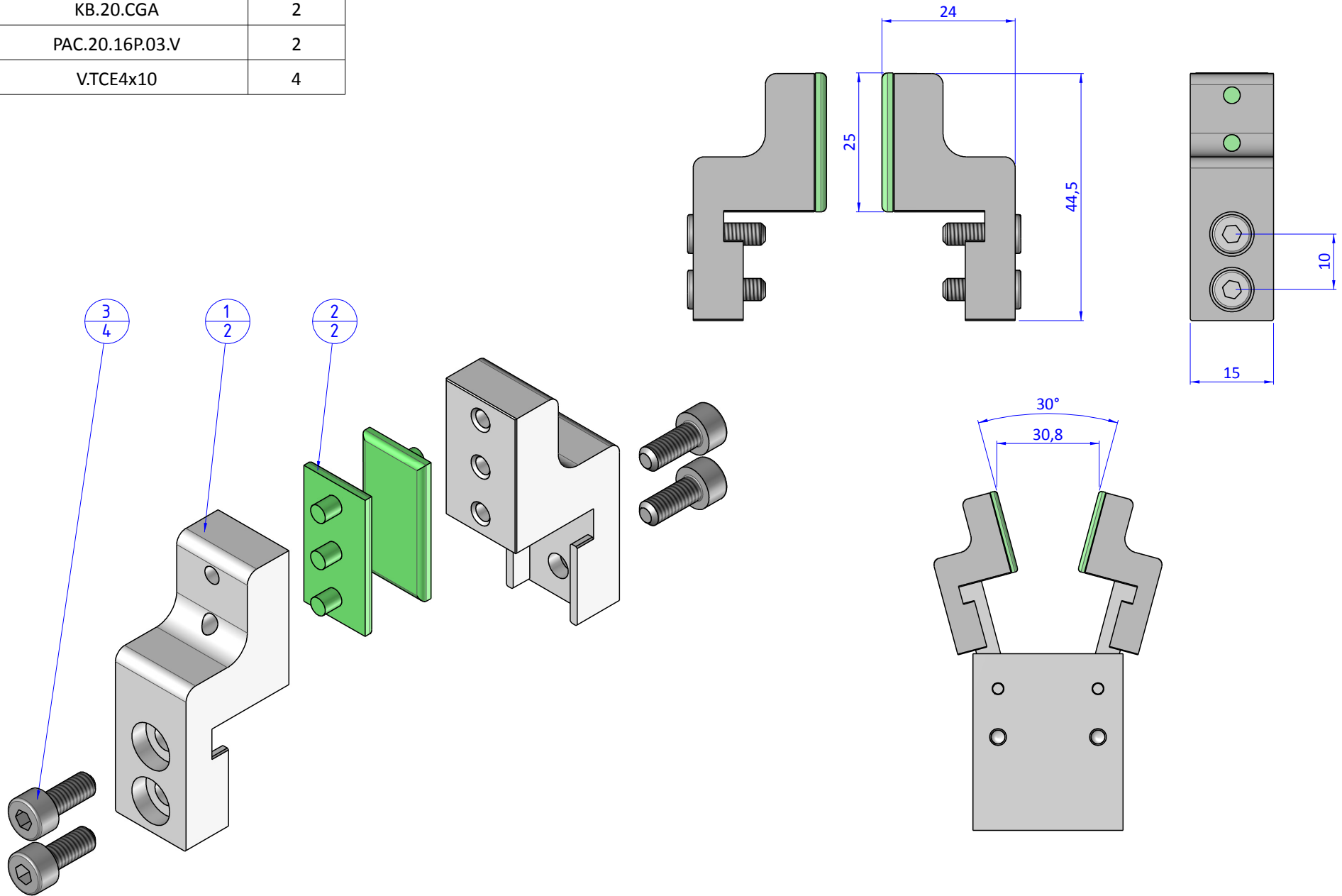


THE PROPERTY OF THE DRAWING IS ESTABLISHED BY LAW. IT IS FORBIDDEN TO PRODUCE OR SHOW IT TO THIRD PARTY, WITHOUT A WRITTEN AGREEMENT.

Item	Name	Q.ty
1	KB.20.CGA	2
2	PAC.20.16P.03.V	2
3	V.TCE4x10	4



Format A3

UNI 936-76

FP SERVICES AUTOMATION		DESIGNED FROM FPSERVICES	REVIEW A / 10
GENERAL TOLERANCE UNI - ISO 2768 CLASSE f	DESCRIPTION CA.KB.20.CGA	DATE 26/09/2018	WEIGHT 0,044kg
		CODE CA.KB.20.CGA	